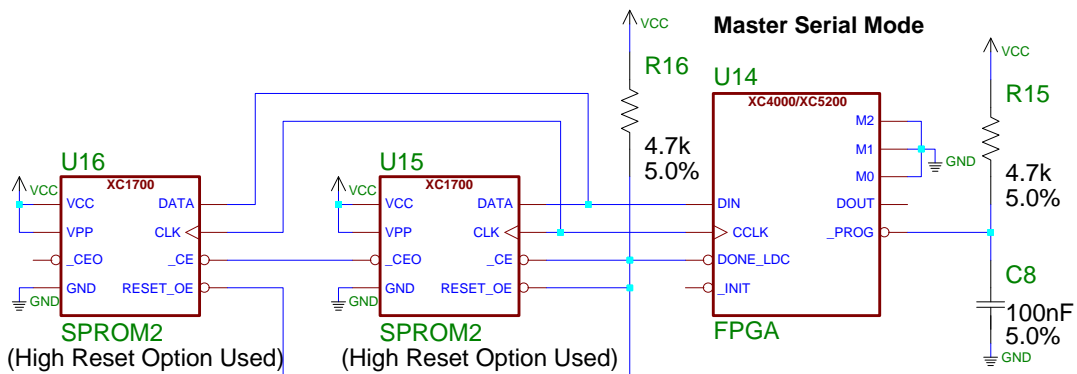
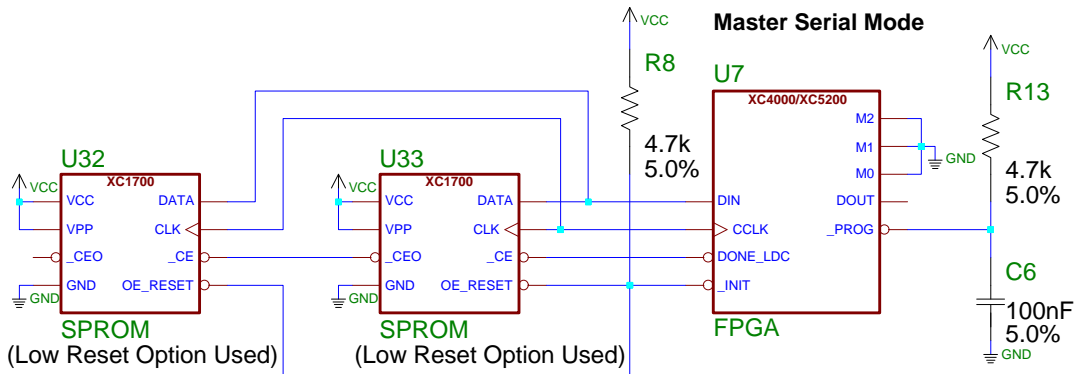


FPGA 2-1 Serial PROM Configuration



Cascading Serial Configuration PROMs (2-1 Serial PROM Configuration for FPGA)

M0	M1	M2	
0	0	0	MASTER
1	1	1	SLAVE
1	1	1	X-Checker

===== Áü° í »ÇÇ× =====

- * SPARTAN Device Á Mode pinÁÌ Çí°ÁÌí°Ç: Í M0, M1Á° No Connection
- * °DeviceÁÇ Pin nameÁB Underscore Á Active LOW: Í µçÁÜÇÖÁ» °°Á, °íçÜ
- * DONE_LDC Á DONE piníÇ Á /LDC pinÁB Çí°Á, ; »çççÖÁ» ÁÇíÇÖ
- * XC1700 Serial PROMÁÇ RESET, OEÁÇ ±0PÁ° ROM Writerç;¼¼ °PÁ=ÇÑ·Ü
- * ÁüÇ-Á° 2K - 10K»çÁÌÁÇ °°Á» »çççÇÖ ¼ÁÖ·Ü

Hyun Myung Electronics Co., Ltd.
 +82-2-3141-0147
 hmkor@hmelec.co.kr

Project: CONFIG
 Sheet: Config2
 Date: 10/03/98